

INSTRUCTION MANUAL

AAL Profiline EMERGENCY CALL PAD HC-101





Warning

The use of a call device does not release supervisors from the obligation to supervise the persons supported by such a device. This system is radio-based and must therefore not be used for monitoring purposes if life-threatening conditions are foreseeable.

Package Contents

Product	Order number ¹	Frequency ¹
AAL <i>Profiline</i> emergency call pad including battery and hook-and-loop strip mounting kit	HC-101	869.23 MHz
Instruction manual	HC-101-BA	

¹Order number and frequency can be found on the identification decal of the emergency call module in the emergency call pad.

Note: While unpacking, each shipment should be inspected for completeness and damage.

Note: In this manual, the **AAL *Profiline* emergency call pad** is referred to as “**emergency call pad**”.

Use and Function

The emergency call pad serves as alarm signalling device for persons with greatly impaired motor skills. Its size and functionality allow calls to be triggered by a very slight surface pressure with the hand or other limbs.

Putting Into Operation

The emergency call pad is supplied ready for operation with installed battery. During initial putting into operation the pad must be programmed in a suitable AAL *Profiline* receiver and a range test must be performed.

Programming / Deleting the Emergency Call Pad to / from a Radio Receiver

The “programming” to the radio receiver required for initial putting into operation and the “deletion” from the radio receiver that may be required if the transmitter is ported to another radio receiver can be found in the instruction manual of the respective radio receiver.

Call Triggering and Acoustic Signal

A radio call is triggered by pressing the emergency call pad (Fig. 1). Five successive beeps signal the call feedback (Fig. 2). The call feedback can be activated or deactivated as required.

Placement and Instructions

Place the emergency call pad such that the user can reach it with the part of the body intended to trigger the call. Instruct the caregiver in the operation of the product.

Important: Keep the emergency call pad away from heat, fire and embers. Smokers using the emergency call pad are to be made aware of this precaution!

Figure 1: Emergency call pad and call triggering by laying a hand on the pad



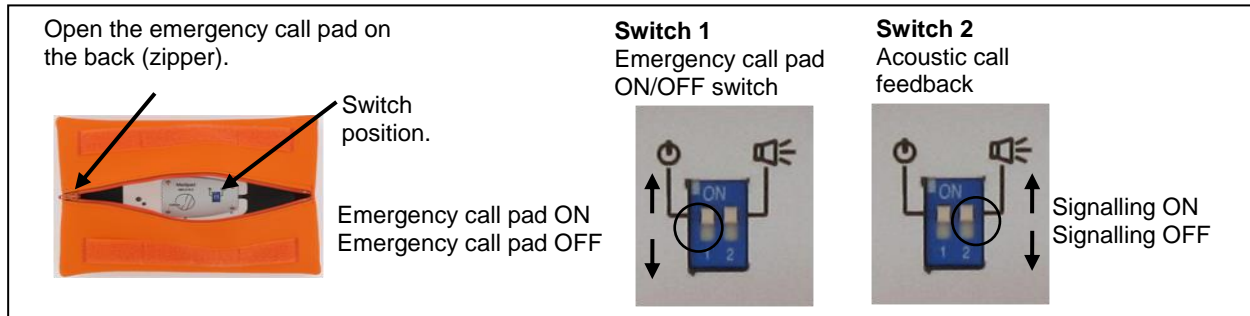
Switching off Call Messages

When actuated, the emergency call pad sends one call signal to the respective receiver. This call signal can be switched off at the receiver. It is not possible to reset the call signal at the emergency call pad.

Switch Settings of the Emergency Call Module in the Pad (behind zipper)

1. Acoustic call feedback ON / OFF The factory setting is “OFF”.
Important: The pad should be used with activated acoustic feedback. If this is not possible, the acoustic signalling must be activated and checked during the periodic performance check.
2. Completely switch OFF the emergency call pad (required only if not used for a longer period or for transport).

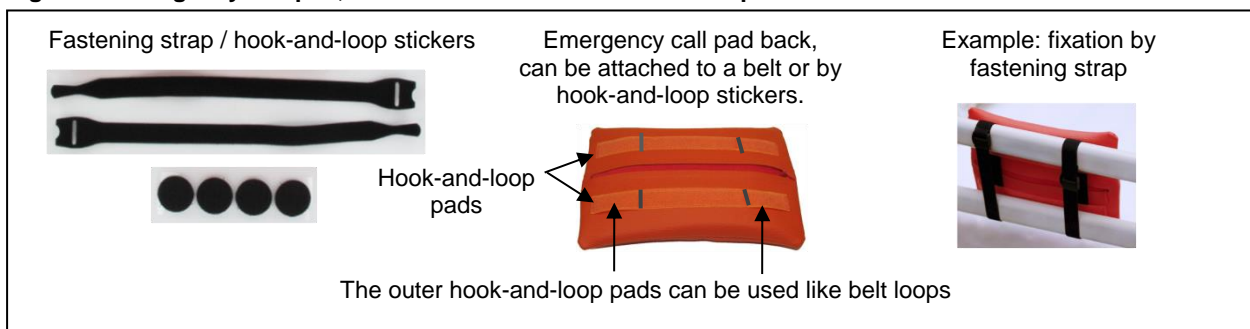
Figure 2: switch field access



Fixing Accessories

The emergency call pad comes with hook-and-loop stickers. These stickers can be adhered to a smooth surface, for example. The emergency call pad can be fixed to the hook-and-loop pads of the stickers. Alternatively, fastening straps allow for firmly fixing the emergency call pad.

Figure 3: emergency call pad, accessories and attachment example.



Checking the Safe Range of the Radio Link

The range of the emergency call pad meets the requirements of the technical inspection body of the German health insurance companies. Within buildings, a range of approx. 30 m can be expected. The range depends to a large extent on the local conditions.

Before using the transmitter for the first time, an interference-free operation of the radio link has to be ensured. Proceed as follows:

1. Switch **on** all electronic entertainment and communication devices (e.g., television sets, game consoles, and computers) in the immediate vicinity.
2. Check if the radio message is received by the call receiver at a distance exceeding the intended usage distance by approx. 5 to 10 m. Make sure that the message is triggered by a single call triggering!

Important: Repeat the check if the positions of electronic devices are changed or new electronic devices are put into operation in the immediate vicinity of the usage site.

Regular Measures

A weekly inspection with test call triggering and inspection of all indicator elements of the system is suggested. A successful transmission of a "battery low" message should also be checked. Moreover, a monthly range control is recommended.

Cleaning

Use of a soft, slightly moist cloth with a small amount of cleaning agent, optionally with disinfecting agents according to DIN/EN 13727, is recommended. Do not use abrasive and/or caustic cleaning agents. The pad part can be removed and cleaned (Fig. 4).

Specifications

Model:	Pad call transmitter with very smooth large-area pneumatic triggering
Actuating area:	Approx. 180 x 100 mm
Signalling:	Call triggering by pneumatic switch, acoustic functional message Wireless call transmission
Transmitter:	Frequency 869.23 MHz, FSK (Frequency Shift Keying) modulation (safe social alarm frequency)
Power supply:	3 V button cells; type: CR 2032 Service life approx. 3 years with one activation per day
Internal switches:	Operation: ON / OFF, acoustic call signalling: ON / OFF
Rating:	IP 30 (do not use in wet areas or under humid conditions)
Dimensions:	225 x 150 x 45 mm (W x H x D)
Weight:	approx. 170 g

Figure 4: Replacing the pad cover

Open the zipper on the back and remove / insert the module.



Battery Replacement

Note: Replace the battery if the acoustic call signalling emits only one beep instead of five successive beeps.



Important

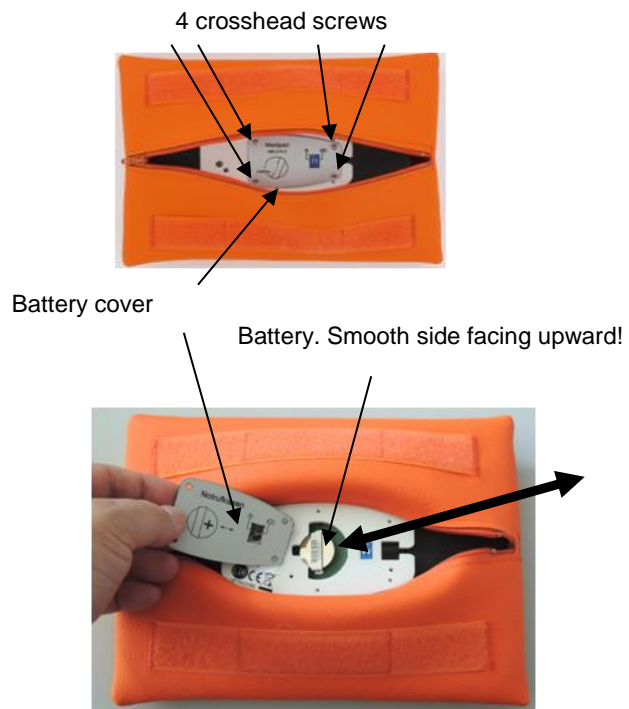
After each battery replacement call triggering and range have to be checked in the same way as during initial putting into operation. Used batteries must be properly disposed of.

“Battery Low” Message

Each time a call is issued, the battery status is also transmitted. If a “battery low” message is received, the battery of the emergency call pad should be replaced within the following weeks.

Procedure

1. Open the pad cover of the emergency call pad.
2. Carefully loosen the 4 crosshead screws of the battery cover and remove the battery cover.
3. The transmitter module with the battery is below the cover.
4. Push the battery out with a **non-metal** tool and insert a new CR2032 type battery (+ terminal facing up).
5. Replace the battery cover and insert and tighten the screws. Do not overtighten the screws.
6. Close the zipper.
7. **Important:** Perform a performance test and a range test in the same way as during initial putting into operation.



Accessory and Replacement Parts¹

Product

Replacement kit consisting of pad cover, inner fleece, 2 hook-and-loop straps, 4 stickers

Order number¹

AAL-101X-01

¹Additional components can be found on the AAL Homecare website.

Warranty

The manufacturer shall not be liable for any damage resulting from improper or inappropriate use. During the legal warranty period we shall correct, free of charge, all defects of the device attributable to material or manufacturing defects, either by repair or replacement.

The warranty shall become void in the case of interference by a third party or improper use. The warranty shall not apply to wear and tear of moving and interchangeable parts.

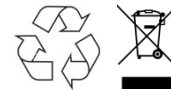
Service Address

If problems occur despite correct handling or if the product has been damaged, please contact your dealer or the following address:

AAL-Homecare Deutschland - Wahner -Str. 45 - 53859 Niederkassel - Homepage: www.aal-homecare.com

Disposal Instructions

Used devices and batteries must not be disposed of together with domestic waste. Dispose of used devices, used batteries and packaging material according to applicable laws and disposal regulations.



Conformity and Legal Provisions

AAL-Homecare declare that, if applicable, the product complies with the essential requirements and the other relevant provisions of the EMC Directive 2014/30/EU, the RED Directive 2014/53/EU, and the RoHS directive 2011/65/EU. You will find the complete declarations of conformity in the Internet under: www.aal-homecare.com



REACH Regulation Within the meaning of the Regulation we are a downstream user. The product is exempt from the specific labelling requirements of the Regulation. Further information is available on the website.